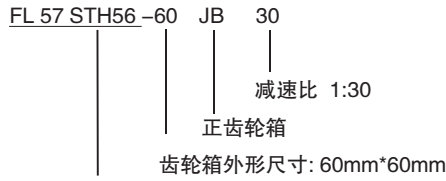


FL57STH-60JB 正齿轮箱混合式步进电机

● 型号说明:



电机型号: 性能参考 FL57STH 系列大力矩混合式步进电机



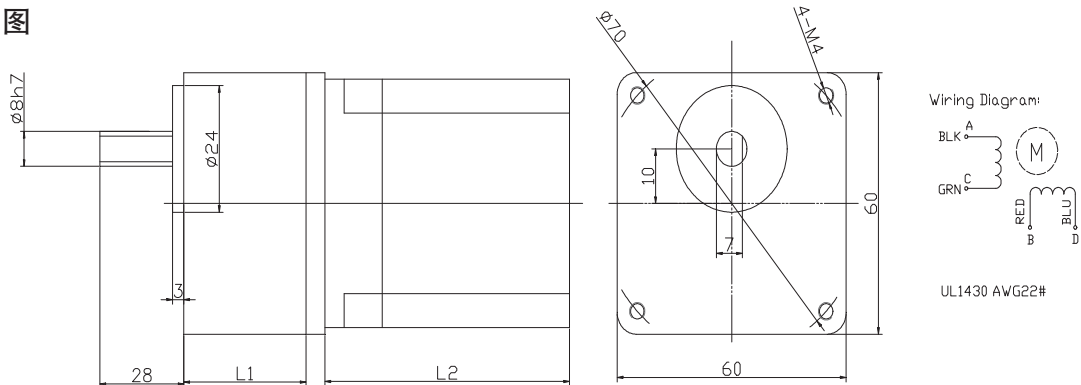
● 齿轮箱参数

| | | | | | | | | | | | | | | | | |
|------|-------|-----|------|----|----|--------|----|----|----|-----|--------|-----|--|--|--|--|
| 减速比 | 3 | 7.5 | 12.5 | 15 | 25 | 30 | 50 | 75 | 90 | 100 | 120 | 150 | | | | |
| 重量 | 240g | | | | | 300g | | | | | | | | | | |
| 减速级数 | 2 | | | 3 | | | | 4 | | | | | | | | |
| 额定转矩 | 10N.m | | | | | | | | | | | | | | | |
| 极限转矩 | 15N.m | | | | | | | | | | | | | | | |
| 效率 | 81% | | | | | 73% | | | | | 66% | | | | | |
| 回差 | 4 deg | | | | | 3.5deg | | | | | 2.5deg | | | | | |

● 正齿轮箱混合式步进电机参数

| 减速比 | | 3 | 7.5 | 12.5 | 15 | 25 | 30 | 50 | 75 | 90 | 100 | 120 | 150 | | | |
|----------------|-----------------------|------|------|------|------|------|------|-----|-----|-----|-----|-----|-----|-----|-----|-----|
| FL57STH41-60JB | 转矩(N.m) (在 300rpm) | 1.02 | 2.55 | 4.25 | 5.1 | 7.66 | 9.19 | --- | --- | --- | --- | --- | --- | --- | --- | --- |
| | 转速(rpm) | 100 | 40 | 24 | 20 | 12 | 10 | --- | --- | --- | --- | --- | --- | --- | --- | --- |
| FL57STH51-60JB | 转矩(N.m) (在 300rpm) | 1.78 | 4.25 | 7.08 | 8.5 | --- | --- | --- | --- | --- | --- | --- | --- | --- | --- | --- |
| | 转速(rpm) | 100 | 40 | 24 | 20 | --- | --- | --- | --- | --- | --- | --- | --- | --- | --- | --- |
| FL57STH56-60JB | 转矩(N.m) (在 300rpm) | 1.84 | 4.61 | 7.69 | 9.23 | --- | --- | --- | --- | --- | --- | --- | --- | --- | --- | --- |
| | 转速(rpm) | 100 | 40 | 24 | 20 | --- | --- | --- | --- | --- | --- | --- | --- | --- | --- | --- |
| FL57STH76-60JB | 转矩(N.m) (在 300rpm) | 2.91 | 7.29 | --- | --- | --- | --- | --- | --- | --- | --- | --- | --- | --- | --- | --- |
| | 转速(rpm) | 100 | 40 | --- | --- | --- | --- | --- | --- | --- | --- | --- | --- | --- | --- | --- |

● 外形图



| 减速比 | L2(mm) | | | | L1(mm) |
|----------|----------------|----------------|----------------|----------------|--------|
| | FL57STH41-60JB | FL57STH51-60JB | FL57STH56-60JB | FL57STH76-60JB | |
| 3---15 | 40 | 50 | 55 | 75 | 32 |
| 25---150 | | | | | 40 |