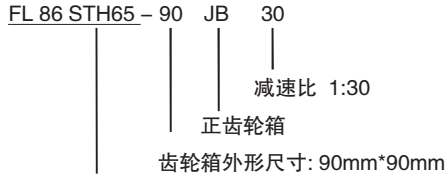




FL86STH-90JB 正齿轮箱混合式步进电机

● 型号说明:



电机型号: 性能参考 FL86STH 系列大力矩混合式步进电机



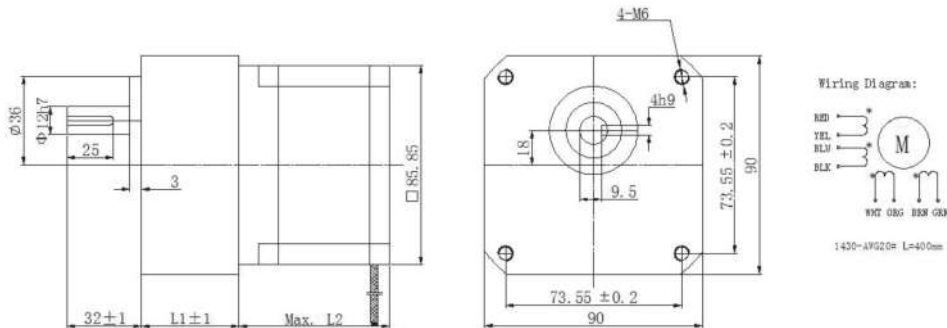
● 齿轮箱参数

减速比	3	5	6	7.5	9	10	12.5	15	18	20	25	30	36	40	50	60	75	90	100	120
重量	1.3kg									1.5kg										
减速级数	2									3						4				
额定转矩	30N.m																			
极限转矩	45N.m																			
效率	81%									73%						66%				
回差	4 deg									3.5deg						2.5deg				

● 正齿轮箱混合式步进电机参数

减速比		3	5	6	7.5	9	10	12.5	15	18	20	25	30	36	40	50	60	75	90	100	120
FL86STH65-90JB	转矩(N.m) (在 400rpm)	3.6	6	7.2	9.1	10.9	12.1	15.1	18.2	19.7	21.9	27.3	---	---	---	---	---	---	---	---	---
	转速(rpm)	133	80	67	53	44	40	32	27	22	20	16	---	---	---	---	---	---	---	---	---
FL86STH80-90JB	转矩(N.m) (在 400rpm)	4.8	8.1	9.7	12.1	14.6	16.2	20.2	24.3	26.2	29.2	---	---	---	---	---	---	---	---	---	---
	转速(rpm)	133	80	67	53	44	40	32	27	22	20	---	---	---	---	---	---	---	---	---	---
FL86STH118-90JB	转矩(N.m) (在 400rpm)	9.7	16.2	19.4	24.3	29.1	---	---	---	---	---	---	---	---	---	---	---	---	---	---	---
	转速(rpm)	133	80	67	53	44	---	---	---	---	---	---	---	---	---	---	---	---	---	---	---
FL86STH156-90JB	转矩(N.m) (在 400rpm)	12.1	20.2	24.3	30.3	---	---	---	---	---	---	---	---	---	---	---	---	---	---	---	---
	转速(rpm)	133	80	67	53	---	---	---	---	---	---	---	---	---	---	---	---	---	---	---	---

● 外形图



减速比	L2(mm)				L1(mm)
	FL86STH65-90JB	FL86STH80-90JB	FL86STH118-90JB	FL86STH156-90JB	
3---15	65	80	118	156	42
18---120					60